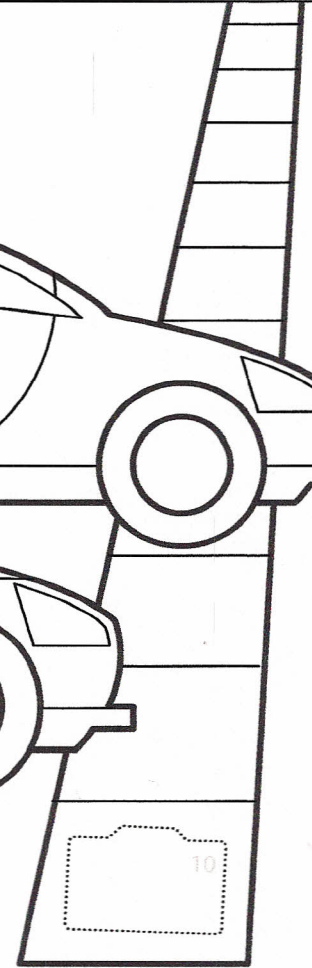
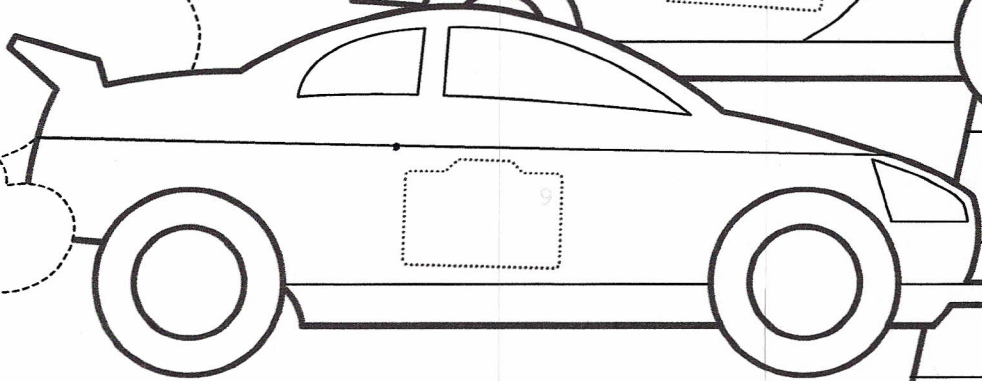
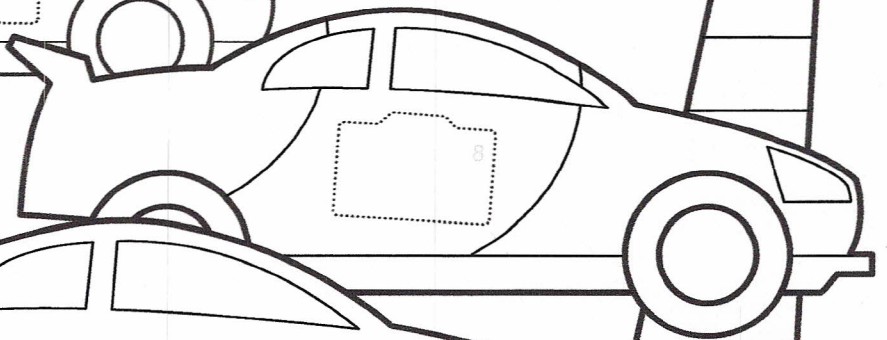
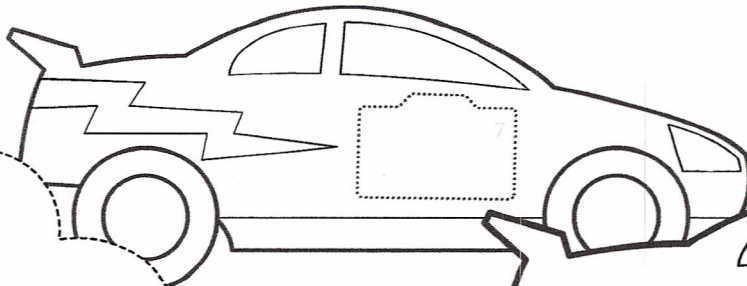
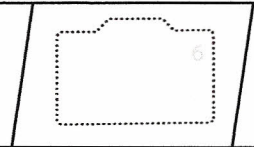
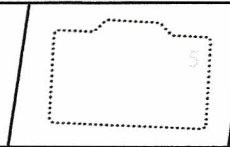
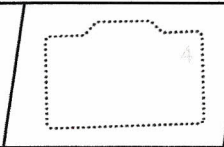
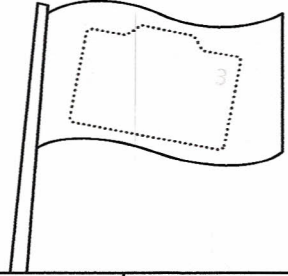
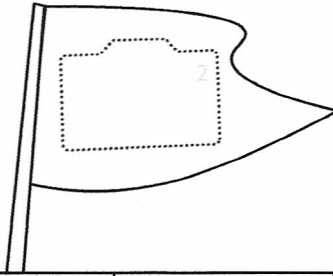
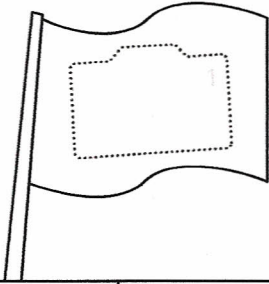


May 2011

It's a race! Fill this sheet with Box Tops and be the first to cross the finish line.



FINISH

Name \_\_\_\_\_

Grade \_\_\_\_\_

Teacher's Name \_\_\_\_\_

Thank you for helping! Every Box Top you collect is worth 10¢ for your school.  
For more collection worksheets and projects, go to [www.boxtops4education.com/activitycenter](http://www.boxtops4education.com/activitycenter)